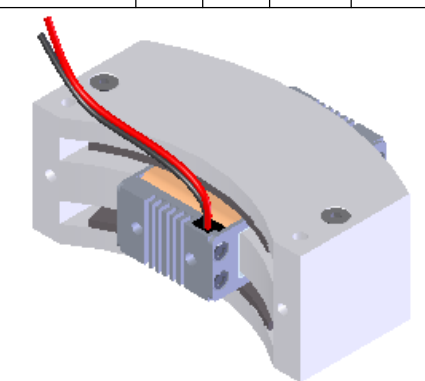
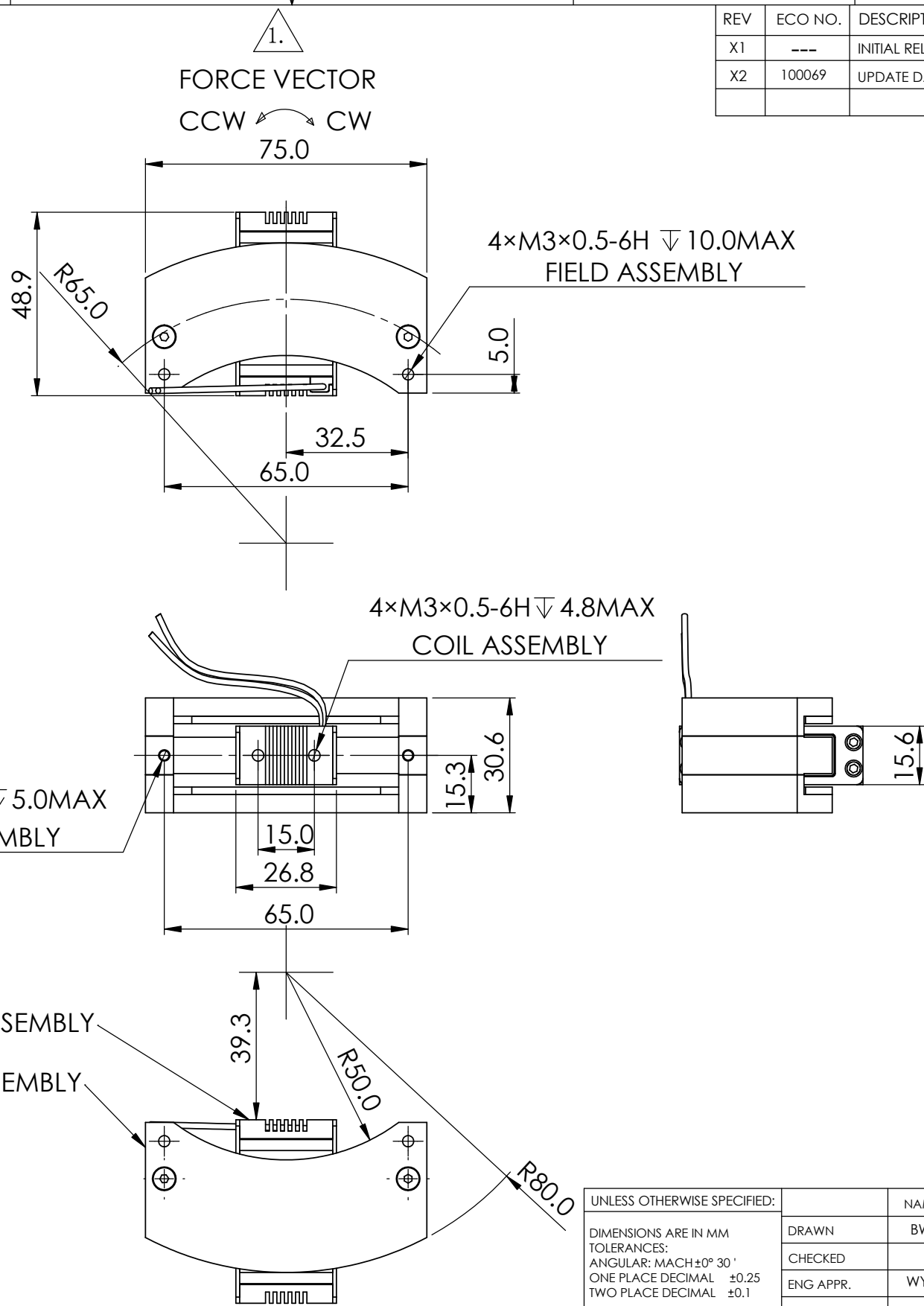


WINDING CONSTANT	TOL	SYM	VALUE	UNITS
DC RESISTANCE	+ 10%	R	1.5	OHMS
VOLTAGE @ Fp	NOMINAL	Vp	6.3	VOLTS
CURRENT @ Fp	NOMINAL	Ip	4.2	AMPS
TORQUE SENSITIVITY	+ 7.5%	Kt	0.2	N-m / A
BACK EMF CONSTANT	NOMINAL	Kb	0.2	V/Rad/Sec
INDUCTANCE *****	+ 30%	L	0.55	mH
ACTUATOR PARAMETER	SYM	VALUE	UNITS	
PEAK TORQUE *	Fp	0.84	N-m	
CONTINUOUS STALL TORQUE **	Tcs	0.6	N-m	
CONTINUOUS TORQUE WITH HEAT SINK	Tcs	0.82	N-m	
ACTUATOR CONSTANT	Ka	0.163	N-m/√w	
ELECT TIME CONSTANT	Te	0.37	milli-sec	
POWER I ² R@Fp	Pp	26.4	W	
TOTAL STROKE(ANGULAR)	S	30	degree	
CLEARANCE ON SIDE OF COIL	CL	0.5	mm	
THERMAL RESISTANCE ***	θth	9.1	C / W	
THERMAL RESISTANCE WITH HEAT SINK****	θth	4.92	C / W	
MAX WINDING TEMP	Tmax	150	C	
WEIGHT OF COIL ASSEMBLY	WTc	54.2	g	
INERTIA OF COIL ASSEMBLY	Ic	2174	g-cm ²	
WEIGHT OF FIELD ASSEMBLY	WTf	442.1	g	
WEIGHT OF ACTUATOR	WTa	496.3	g	

* 10 sec @ 25C ambient, 150C coil temp.
 ** 25C ambient, 150C coil temp.
 *** In free air.
 **** Measured with 250×250×10mm heat sink.
 ***** Measured with BK PRECISION 875B.

2.INSULATION RESISANCE:100 MEGOHMS MINIMUM AT 500 VDC.
 1. A POSITIVE(+) VOLTAGE APPLIED TO THE RED LEAD WILL PRODUCE A FORCE ON THE COIL ASSEMBLY IN CLOCKWISE(CW) DIRECTION.
 NOTES:UNLESS OTHERWISE SPECIFIED



LEAD WIRE:RED
 500 LONG MIN
 LEAD WIRE:BLACK
 500 LONG MIN

REV	ECO NO.	DESCRIPTION	DRN	APP'D	Q.A	DATE
X1	---	INITIAL RELEASE	BWZ	WYG	LBQ	07-04-25
X2	100069	UPDATE DATA SHEET	BWZ	WYG	LBQ	07-07-06

UNLESS OTHERWISE SPECIFIED:		NAME	DATE	Suzhou, China
DIMENSIONS ARE IN MM TOLERANCES: ANGULAR: MACH ±0° 30' ONE PLACE DECIMAL ±0.25 TWO PLACE DECIMAL ±0.1		DRAWN	BWZ 07-04-25	
INTERPRET GEOMETRIC TOLERANCING PER: ANSI Y14.5M-1982.		CHECKED		TITLE: <h1>ROTARY ACTUATOR</h1>
		ENG APPR.	WYG 07-04-25	
DO NOT SCALE DRAWING		MFG APPR.		
		Q.A.	LBQ 07-04-25	SCALE: 1:1.5 SHEET 1 OF 1
		COMMENTS:		

PROPRIETARY AND CONFIDENTIAL
 THE INFORMATION CONTAINED IN THIS DRAWING IS THE SOLE PROPERTY OF USAS MOTION - SUZHOU, CHINA. ANY REPRODUCTION IN PART OR AS A WHOLE WITHOUT THE WRITTEN PERMISSION OF USAS MOTION - SUZHOU, CHINA IS PROHIBITED.